

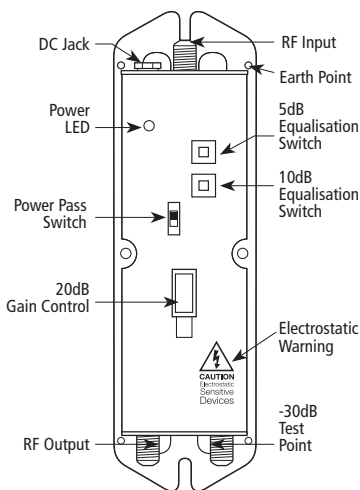
DA43

GaAs Hybrid Television Distribution Amplifier

Optimised for digital TV signal amplification.

Thank you for selecting an Australian designed and built amplifier.

Fig. 1 (Lid removed)



The DA43 is an economical, low noise GaAs wide-band distribution amplifier for use in digital television systems. It features a 20dB gain control and up to -15dB of cable equalization. (see Fig. 1).



.....
CAUTION: This amplifier contains devices that are sensitive to Electrostatic Discharge (ESD).
.....

INSTALLATION

The DA43 is intended for indoor use.

Cable connections

The input/output cable connectors are 'F' Type.

Powering options

Local powering: The supply voltage (12V to 18V DC) for the DA43 is supplied by the separately purchased PSK12S or PSK18S power supply.

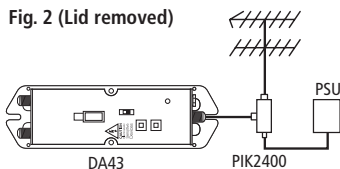
Line powering: Achieved via the coaxial cable RF input socket. The PSK12S or PSK18S power supply will require a PIK2400 accessory to adapt power to an 'F' connection (see Fig. 2).

A power through switch has been included to pass power to the output for line powering solutions. (Maximum through powering 0.3 amp).

Adjustments

Set the output level to the network calculations. Gain adjustments is 0-20dB via control and equalisation, or tilt can be set to 5, 10 or 15dB from 40-860 MHz by push button switches.

Fig. 2 (Lid removed)



SPECIFICATION	
PARAMETER	SPECIFICATION
Frequency Range	40-860 MHz
Gain	43dB (Nominal)
Gain Control Range	20dB
Flatness	± 2dB
Noise Figure	< 5dB
Return Loss	> 12dB
EQUALISER CONTROL RANGE	
Stage 1 Slope	5dB (40-860 MHz)
Stage 2 Slope	10dB (40-860 MHz)
Stage 3 Slope	15dB (40-860 MHz)
Output Level	118dBµV @ - 60dB IMR (DIN45004B)
Supply Voltage	12V to 18V DC
Current Consumption	300 mA
POWERING FEATURES	
Option 1	Locally – using PSK12S or PSK18S plug pack
Option 2	Remotely using PSK18s and PIK2400 (to input or output)
Power through option input to output switchable (1 amp max)	
Radiation	< 20dBpw
Operating Temperature	-10°C to 50°C
Dimensions	195 x 55 x 35 mm
Weight	280 grams (approx)
Connectors	'F' Type
All values are typical unless otherwise specified.	

GME CONTRACT WARRANTY AGAINST DEFECTS

This warranty against defects is given by GME Pty Ltd ACN 000 346 814 (We, us, our or GME). Our contact details are set out in clause 2.7. This warranty statement only applies to products purchased in Australia. Please contact your local GME distributor for products sold outside of Australia. Local distributor details at www.gme.net.au/expert.

1. Consumer guarantees

- 1.1 Our goods come with guarantees that cannot be excluded under the Australian Consumer Law. You are entitled to a replacement or refund for a major failure and for compensation for any other reasonably foreseeable loss or damage. You are also entitled to have the goods repaired or replaced if the goods fail to be of acceptable quality and the failure does not amount to a major failure.
- 1.2 To the extent we are able, we exclude all other conditions, warranties and obligations which would otherwise be implied.

2. Warranty against defects

- 2.1 This warranty is in addition to and does not limit, exclude or restrict your rights under the Competition and Consumer Act 2010 (Australia) or any other mandatory protection laws that may apply.
- 2.2 We warrant our goods to be free from defects in materials and workmanship for the warranty period (see warranty table) from the date of original sale (or another period we agree to in writing). Subject to our obligations under clause 1.2, we will at our option, either repair or replace goods which we are satisfied are defective. We warrant any replacement parts for the remainder of the period of warranty for the goods into which they are incorporated.
- 2.3 To the extent permitted by law, our sole liability for breach of a condition, warranty or other obligation implied by law is limited
 - (a) in the case of goods we supply, to any one of the following as we decide –
 - (i) the replacement of the goods or the supply of equivalent goods;
 - (ii) the repair of the goods;
 - (iii) the cost of repairing the goods or of acquiring equivalent goods;
 - (b) in the case of services we supply, to any one of the following as we decide –
 - (i) the supplying of the services again;
 - (ii) the cost of having the services supplied again.
- 2.4 For repairs outside the warranty period, we warrant our repairs to be free from defects in materials and workmanship for three months from the date of the original repair. We agree to re-repair or replace (at our option) any materials or workmanship which we are satisfied are defective.

- 2.5 We warrant that we will perform services with reasonable care and skill and agree to investigate any complaint regarding our services made in good faith. If we are satisfied that the complaint is justified, and as our sole liability to you under this warranty (to the extent permitted at law), we agree to supply those services again at no extra charge to you.
- 2.6 To make a warranty claim you must before the end of the applicable warranty period (see warranty table), at your own cost, return the goods you allege are defective, provide written details of the defect, and give us an original or copy of the sales invoice or some other evidence showing details of the transaction.
- 2.7 Send your claim to:
GME Pty Ltd.
PO Box 96 Winston Hills, NSW 2153, Australia.
Tel: (02) 8867 6000 Fax: (02) 8867 6199
Email: servadmin@gme.net.au
- 2.8 If we determine that your goods are defective, we will pay for the cost of returning the repaired or replaced goods to you, and reimburse you for your reasonable expenses of sending your warranty claim to us.

3. What this warranty does not cover

- 3.1 This warranty will not apply in relation to:
 - (a) goods modified or altered in any way;
 - (b) defects and damage caused by use with non Standard Communications products;
 - (c) repairs performed other than by our authorised representative;
 - (d) defects or damage resulting from misuse, accident, impact or neglect;
 - (e) goods improperly installed or used in a manner contrary to the relevant instruction manual; or
 - (f) goods where the serial number has been removed or made illegal.

4. Warranty period



- 4.1 We provide the following warranty on GME and Kingray products. No repair or replacement during the warranty period will renew or extend the warranty period past the period from original date of purchase.

Product Type	Warranty Period
Kingray Distribution Amplifier DA43	3 years



ISO 9001:2015
AU970906
List of certified
characteristics available
at www.sgs.com



 **1300 463 463**  kingray.net.au

A division of GME Pty Ltd.

Head Office: PO Box 96, Winston Hills, NSW 2153, Australia.

New Zealand: PO Box 58446 Botany, Auckland, 2163, NZ. T: (09) 274 0955.

All other international enquiries email: export@gme.net.au

