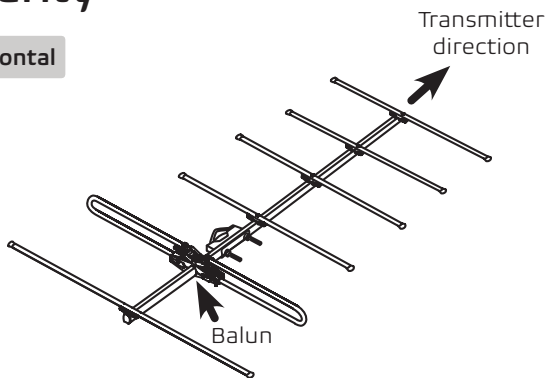


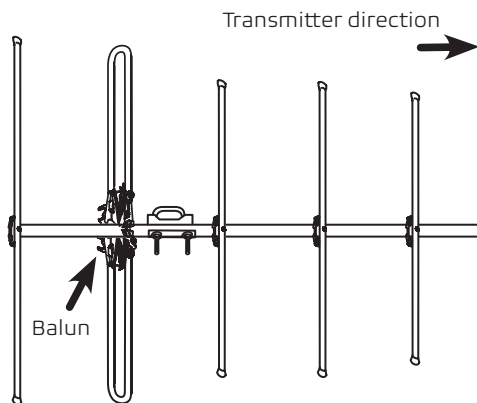
## Polarity

### Horizontal



Make sure the balun is on the underside of the antenna and the antenna is pointing towards the transmitter.

### Vertical



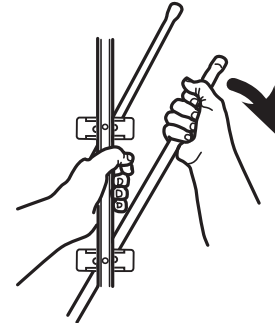
For vertical polarisation, remove the bracket and reattach to the boom so that the antenna can be mounted vertically.

## Features

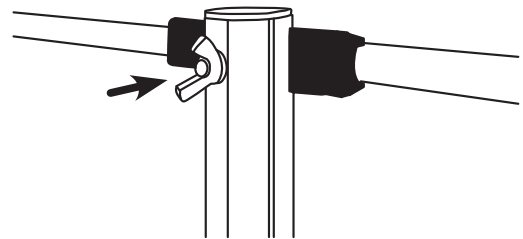
-  Quick and Easy Installation
-  Heavy Duty Design
-  Weatherproof F Type Balun
-  UV Stabilised
-  Channels 6 - 12
-  DAB+ Digital Radio Suitable

## Installing the KVHFY6

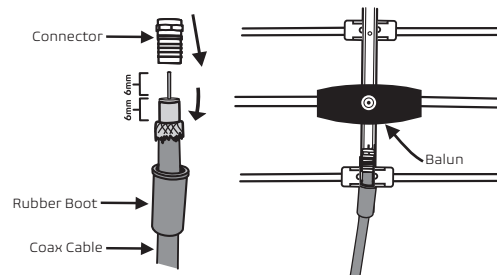
- 1 Rotate the elements until they lock into place.



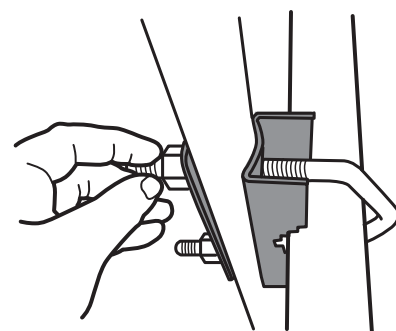
- 2 Attach loose elements to the boom as per the colour coding.



- 3 Strip coax cable, fix connector onto cable & then screw onto balun (connector not included). Move rubber boot up to cover connection.



- 4 Loosen mounting bracket and attach to pole, tighten nuts with spanner.



| Model Number | Elements | Channels | Frequency    | Gain   | F/B Ratio | Overall Length | Maximum Width | Polarity               |
|--------------|----------|----------|--------------|--------|-----------|----------------|---------------|------------------------|
| KVHFY6       | 6        | 6 - 12   | 174 - 230Mhz | 10.5dB | 16dB      | 1275mm         | 834mm         | Horizontal or Vertical |